

Shock-Safe Fuseholder, 5 x 20 mm, horizontal, Slot/Fingergrip, SMD, IEC 60335-1



Fingergrip

250 VAC · 2.5 W/10 A (VDE) · 16 A (UL/CSA)

**Description**

- Surface Mount Device
- Meets the new requirements of IEC 60335-1 Ed. 4.0 for appliances in unattended use (clause 30.2.3). This includes the enhanced requirements of glow wire tests acc. to IEC 60695-2-11 to -13. Order number: 3101.0071 / 3101.0076
- Cap is available slotted or fingergrip

**Standards**

- IEC 60127-6
- UL 512
- CSA C22.2 no. 39

**Approvals**

- VDE License Number: 129098
- UL File Number: E39328

**Applications**

- Industrial electronic
- Household appliances
- Medical equipments


**References**

[General Product Information](#)  
[Packaging Details](#)

**Weblinks**

[Approvals, RoHS, CHINA-RoHS, e-Store, SCHURTER-Stock-Check, Distributor-Stock-Check](#)

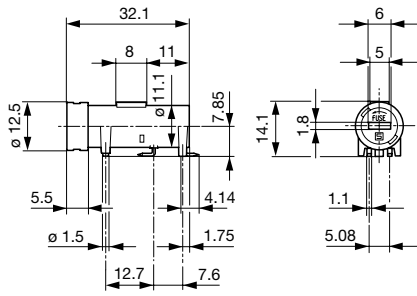
**Technical Data**

Shocksafe Category	PC2
Fuse-Link	5 x 20 mm
Mounting	PCB
Terminal	Solder SMT
Rated Voltage	250VAC
Rated Current	10 A (VDE), 16 A (UL/CSA)
Rated Power Acceptance IEC	2.5 W / 10 A @ Ta 23 °C Admissible power acceptance at higher ambient temperature see derating curves
Degree of Protection	IP 40
Protection Class	Suitable for appliances with protection class I or II acc. to IEC 61140
Admissible Ambient Air Temp.	-40 °C to 85 °C
Climatic Category	40/085/21 acc. to IEC 60068-1
Material: Socket	Thermoplastic, black, UL 94V-0
Material: Terminals	Tin-Plated Copper Alloy
Unit Weight (Socket/Cap)	4.4 g
Storage Conditions	0 °C to 60 °C, max. 70% r.h.
Product Marking	 Type, Voltage Rating, Power Acc./Current Rating, Approvals

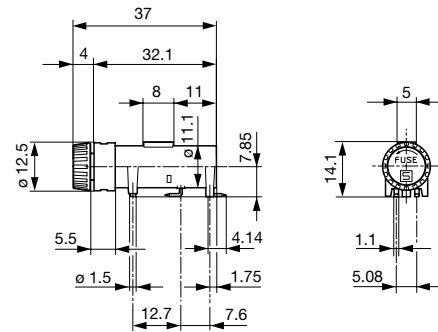
Soldering Methods	Reflow
Solderability	245 °C / 3 sec acc. to IEC 60068-2-58, Test Td
Resistance to Soldering Heat	260 °C / 20 - 40 sec acc. to JEDEC J-STD-020C
Contact Resistance	< 5 mΩ at 20 mV
Dielectric Strength	> 3 kV between L-N (50 Hz; 1 min)
Impulse Withstand Voltage	> 4 kV between L-N
Insulation Resistance	> 10 MΩ between L-N (500 VDC; 1 min)
Overvoltage Category	I - III acc. to IEC 60664-1
Pollution Degree	1 - 3 acc. to IEC 60664-1
Resistance to Vibration	acc. to IEC 60068-2-6, test Fc

### Dimensions

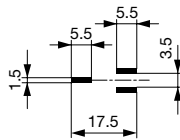
Length |-----| 32 mm



Variant 3101.0070

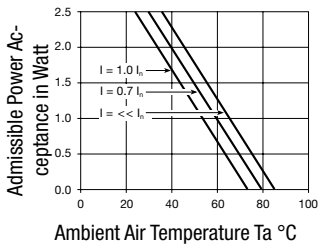


Variant 3101.0075



Solder pads

### Derating Curves for Fuseholders



### Variants

[Distributor-Stock-Check](#) | [SCHURTER-Stock-Check](#) | [e-Store](#)

Holder	Cap	Material	Reflow Condition	Remark	Order Number
●	Slot Knob	Thermoplastic	-	will be replaced by 3101.0071	3101.0070
●	Slot Knob	Spec. Thermoplastic 2	acc. to JEDEC J-STD-020C, $T_p=260 \pm 0/-5$ °C, $t_p = 20-40$ s	Approvals pending	3101.0071
●	Fingergrip	Thermoplastic	-	Will be replaced by 3101.0076	3101.0075
●	Fingergrip	Spec. Thermoplastic 2	acc. to JEDEC J-STD-020C, $T_p=260 \pm 0/-5$ °C, $t_p = 20-40$ s	Approvals pending	3101.0076

Spec. thermoplastic 1 and 2 meet the new requirements of IEC 60335-1 Ed. 4.0 for appliances in unattended use (clause 30.2.3). This includes the enhanced requirements of glow wire tests acc. to IEC 60695-2-11 to -13.

### Packaging Unit

Bulk 186 x 91 x 91 mm (100 pcs.)  
xxxx.xxxx.D2 Blister Tape 38 cm Reel (250 pcs.)